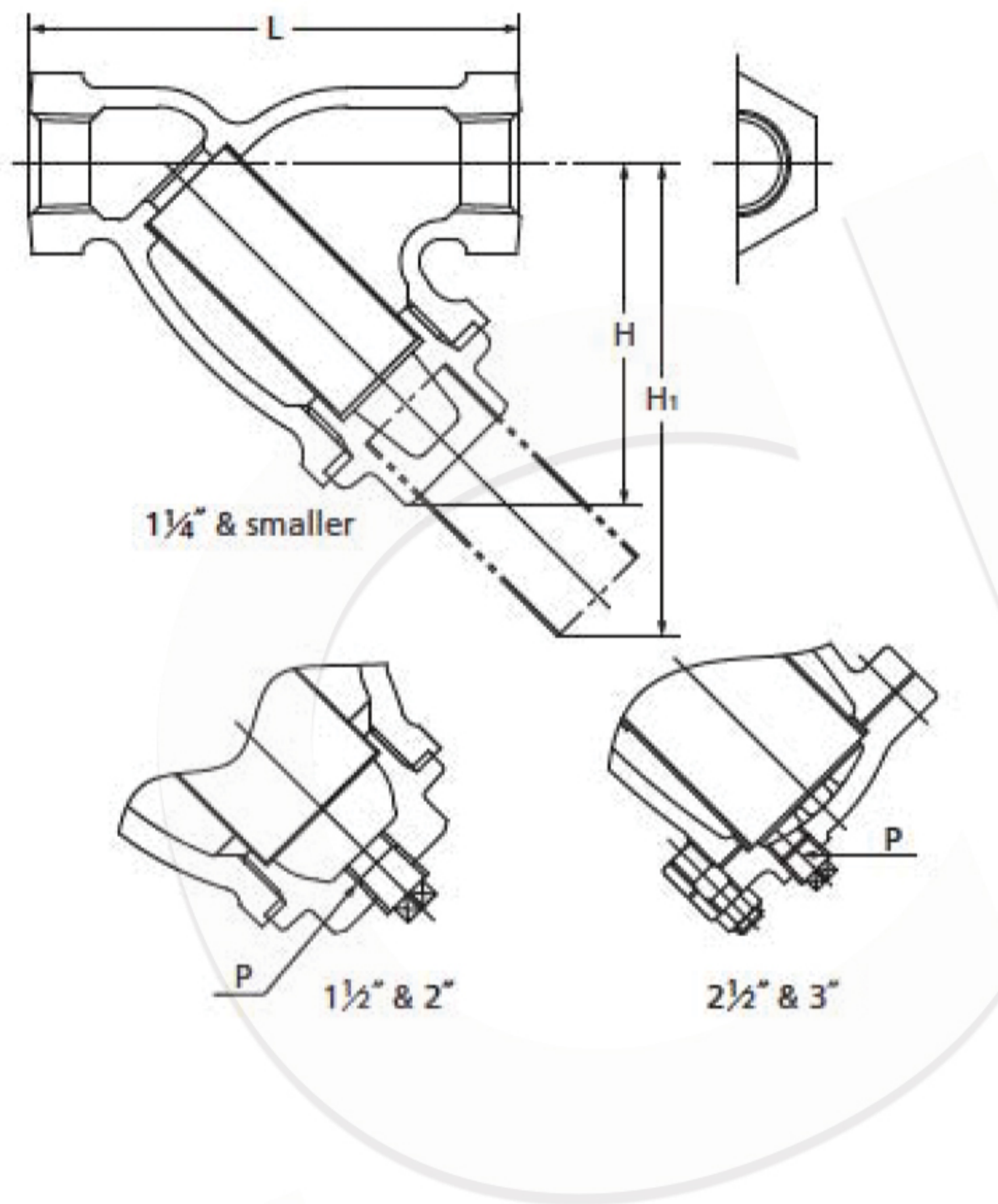


# 10K Strainer for Gas Service

**10FDY**  
B.C. or S.C.



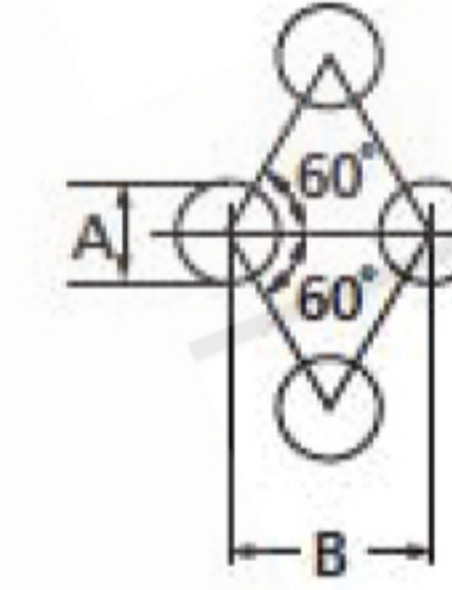
B.C. for 2 1/2" & 3"  
S.C. for 2" & smaller



End to end : KITZ Std.  
End connection : JIS B 0203

120°C Static water..... 1.4MPa  
200°C Steam, air, gas, oil..... 1.0MPa

- Use for lubricating or hydraulic oil is acceptable. Contact KITZ Corporation for technical advice, if valves are used as heat transfer media.
- Employment of copper cap prohibits use of this valve for ammonia or amine chemicals.



**Screen Hole Size**

Valve Size	A	B
1/4" ~ 2"	1.4	2.4
2 1/2" & 3"	1.5	2.5

**Materials**

Parts	JIS material
Body	FCD-5
Cap (1/4" ~ 2")	C3771BE
Cover (2 1/2" & 3")	FCD-5
Gasket	Non-asbestos (2 1/2" & 3": Flexible Graphite)
Screen	SUS304
Plug *	SUS304

\* 1 1/2" & larger

**Dimensions**

Size	mm										
	mm inch	8	10	15	20	25	32	40	50	65	80
L		65	70	85	100	115	135	150	180	220	250
H		46	46	60	65	75	90	100	115	191	215
P		—	—	—	—	—	—	Rc <sup>3</sup> / <sub>8</sub>	Rc <sup>1</sup> / <sub>2</sub>	Rc <sup>1</sup> / <sub>4</sub>	Rc <sup>1</sup> / <sub>4</sub>
H1		63	63	85	95	110	130	145	170	271	311